

KL FP - 2009/02

**type FP L ..... flange diam. 100 mm**  
**type FP S ..... flange diam. 70 mm**

### Application:

Diaphragm seals with flush welded diaphragm are suitable to separate measured mediums from pressure gauge or pressure transmitter for measuring difficult gaseous and liquid media which are viscous, aggressive, includes firm particles or pollute.

Bottom flange which comes into a contact with measured medium is manufactured in plastic material PVDF. Separating diaphragm is manufactured in tantalum, there is alternative to integrate protective foil PTFE, or Hasteloy C 276 at request. Diaphragm seals with a flush welded diaphragm are mountable on pressure gauges and pressure transducer. Suitable for all industries, above chemical industry (chlorine application, fertilizer production, sewage tank etc.)



### Technical parameters:

#### Construction:

**pressure range :** 0-0,6 bar ..... 0-40 bar

**material of bottom flange:** PVDF

**material of upper flange:** 1.4401

**material of separating diaphragm:** Tantal, PTFE, Hasteloy C 276

**connection:** type FP L ..... G 1/2" (different on request)  
type FP S ..... G 1/4" (different on request)

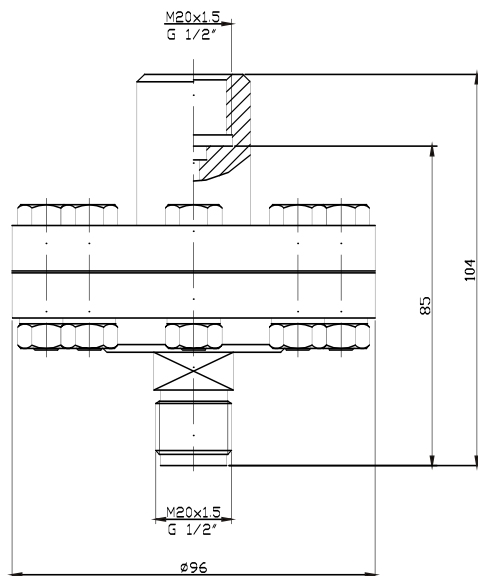
**operating temperature:** up to 40°C

**sealing material between the flanges:** PTFE

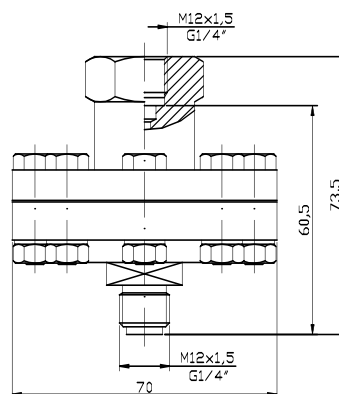
**assembly position:** orthogonal

Specifications are subject to change without notice

KL FP - 2009/02



FP - L



FP - S

\* different reconversion or materials after agreement with the manufacturer

Specifications are subject to change without notice

KL FP - 2009/02