

Type H



Application:

Diaphragm seals type H are especially designed for applications at homogenizing systems for pressure ranges from 0-10 bar up to 0-600 bar.

The membrane is flush welded to the body. Transmission of pressure between diaphragm and measuring instrument is provided by hydraulic oil

Process connection is possible direct or with homogeniser flange.

If necessary, possible to use capillary or cooling element between seal and measuring instrument.

Technical specification and design: flush welded diaphragm to the body, diameter 23,8 mm,
immersion length 13 mm, attachment block flange 95x43x28 mm

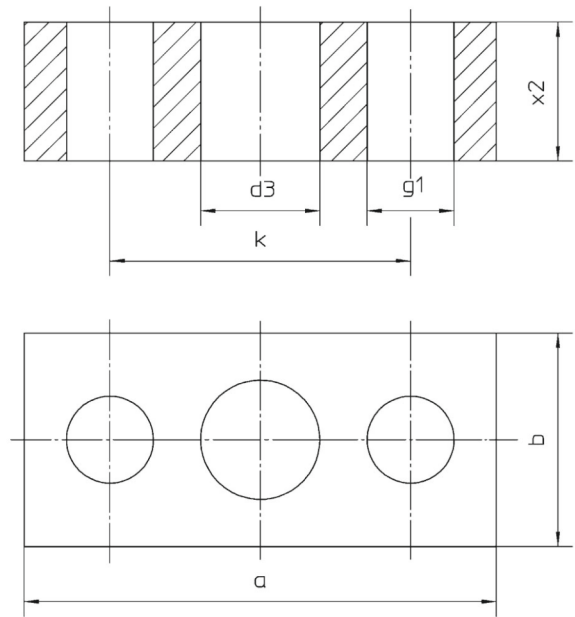
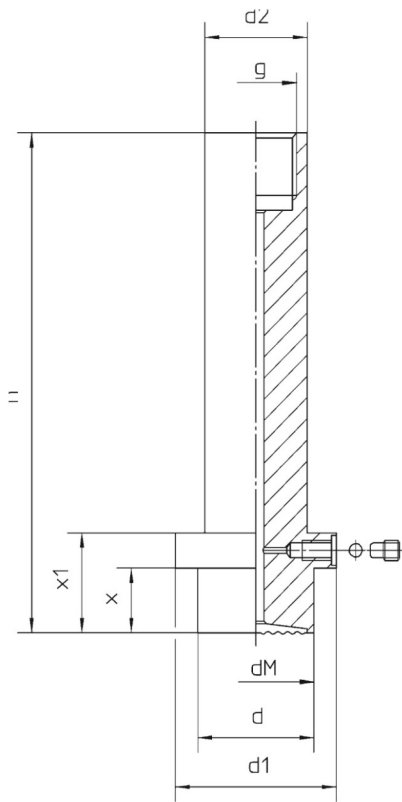
Pressure range: 0-10 bar to 0-600 bar

Material of body and diaphragm: 1.4404

Pressure gauge connection: G 3/8", G 1/2"

Process connection: $\varnothing 23,8 \times 13$

Working temperature: up to 100 °C, for higher temperature is necessary to use cooling element



a	b	d	d1	d2	d3	dM	g	g1	h	k	x	x1	x2
95	43	23.8	33	21	24	21	G 3/8	Ø 17.5	100	60.5	13	20	28
3.74	1.69	.94	1.3	.83	.94	.83	3/8" BSP	.69	3.94	2.38	.51	.79	1.10

* other dimensions upon request