

MM 60 S/185/1,6



Application:

Pressure gauge is suitable for measuring of pressure in pressure systems, for all gaseous and low-viscosity liquid media (without polutions) that will not obstruct the pressure system or attack copper alloy parts. With solid and robust design, housed in massive aluminium case is intended for adverse service conditions where mechanical vibrations exist. Removable dial allow periodical recalibration of the pressure gauge.

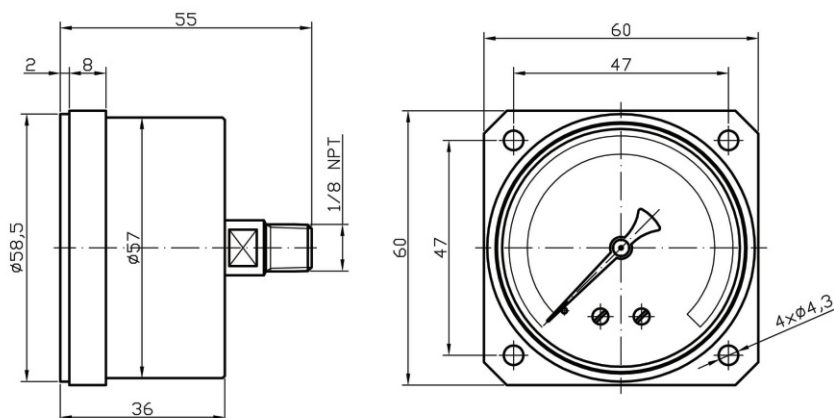
Construction:

The pressure gauges are provided with working measuring systems, mechanical movement, dial with pointer, aluminium case and brass socket. A movement arbors transfers the pressure caused motion of bourdon tubes to the pointer which indicate level of the pressure on the dial.

Technical parameters:

Construction	EN 837-1
Nominal size	60 mm
Accuracy class	1,6%
Scale range	0/60 kPa to 0/40 MPa 0/0,6 bar to 0/400 bar 0/10 psi to 0/6000 psi
Working pressure	static load 75% of full scale value dynamic load 65% of full scale value gauge pressure 100% of full scale value
Operating temperature	ambient 20.....+60°C medium max. +60°C
Temperature effect	when temperature of the pressure element deviates from reference (+20°C) ± 0,4%/10K 90% at 20°C
Humidity	
Mechanical load	tolerantion about mechanical vibration to range 5-80 Hz with amplitude max. 1,5mm and acceleration max. 10g
Movement	brass
Dial	white aluminium, dial marking black, with zero stop (stop in) customer execution on special request (coloured field, icons)
Pointer	aluminium white (RAL 1000)
Lens	plexiglass, at recalibration to dismantle
Case	aluminium mould, black painted, front flange panel mounting
Measuring element	bourdon tube, ≤ 60 bar, bronze, C-type > 60 bar, stainless steel, coiled
Mounting position	90° (other request /45°,60°) *
Socket	brass (stainless steel on request)
Connection	center back mount
Connection thread	M 10x1 ( G 1/8, 1/8 NPT, other)*
Protection	IP 54 EN 60 529
Options	* customer execution on special request

\* marked execution on special request



### IDENTIFICATION:

Model	Execution	Pressure range	Flange	Weight
<b>MM 60 S/185/1,6</b>	IP 64	0/0,6 bar to 0/060 bar	front flange	150 g
<b>MM 60 S/285/1,6</b>	IP 64	0/100 bar to 0/400 bar	front flange	150 g